

## AC-32

## Data Sheet



### Contents

Specifications	2
Dimensions	2
Description	3
Compatible Linear Actuators	3
Setting Up	3-5
Using the Lever	5

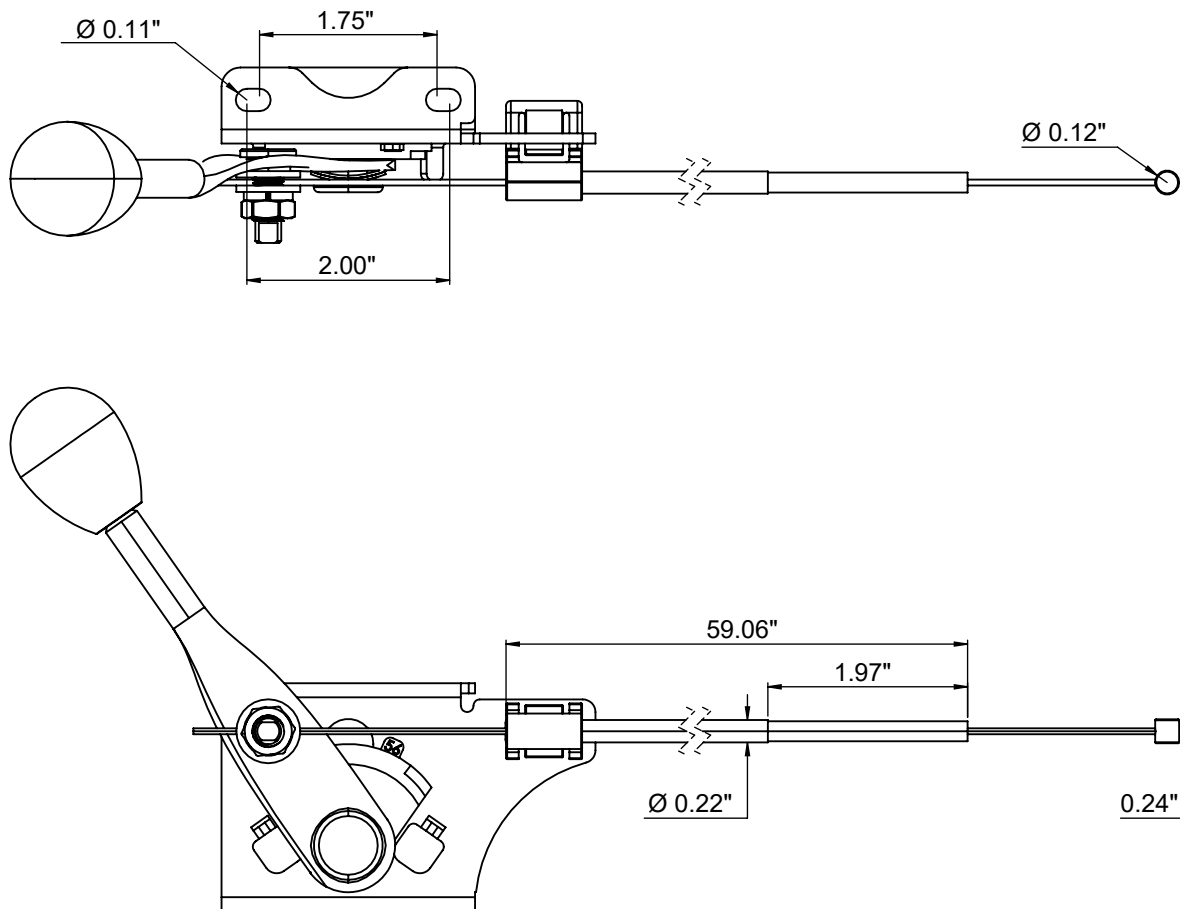
# Specifications



Cable Length	59.06"
Cable Material	Steel
Cable Pull Length	3.23"
Cable Width	0.06"
Dimensions	10.0" x 7.1" x 2.0"
Mounting hole ID	0.26"
Weight	0.92 lbs
Warranty	18 Months

## Dimensions

(Dimensions in inches)





# Description

The AC-32 Quick Release Lever is purchased separately from the PA-QR1, designed for use with quick release actuators. The attached cable in the AC-32 can be swapped out for use in compatible quick release actuators.



## Compatible Linear Actuators



## Setting Up



### Getting Started

Apply a small amount (less than 1g by weight) of cable lubricant prior to the stringing cable. Cable lubricant that is used to lubricate bicycle chains and cables would also be sufficient for this application.

To use the cable lubricant, aim the cannister straw towards the inner cable housing. Briefly apply a small amount and lightly work the lubricant down the housing by pulling on the wire to promote lubricant movement. Do this to both ends of the cable housing.



## How to adjust cable

 **Warning!** Please make sure to wear gloves before starting this procedure. 

The cable may need adjustment to make it sufficiently taut in the fully drawn position. This is to ensure lever movement causes enough pull to activate the quick release feature. The cable at the lever end is held in place by a nut and spacer. The nut must be loosened for adjustments.

1. **NOTE!** It may be useful to set the lever at the released position (toward the system) for this step. Loosen the nut. It is recommended that adjustable wrench and pliers are used for this step.



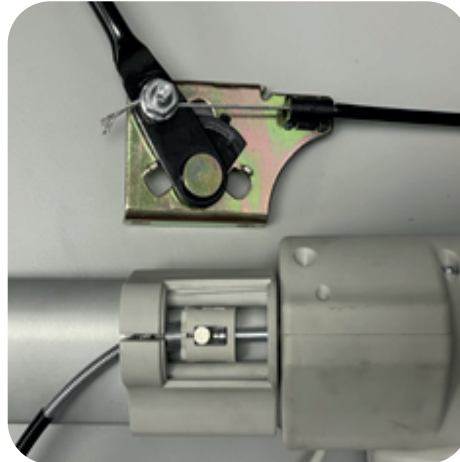
2. Carefully adjust where the cable wire is held in place. A useful starting point can be somewhere in the middle of its range. Use pliers to grab the wire if necessary. Only a small amount of force is required to move the wire to a desired location.





3. Once satisfied with cable wire location, tighten the nut.

4. Test the lever. Ensure that when the lever is in the fully drawn position (away from the system), there is sufficient pull to fully compress the spring. Another consideration is the amount of effort it takes to fully draw the lever. The lever must hit the groove/indent in the fully drawn position. If it does not, or if it takes far more effort than is comfortable for the lever to reach the groove/indent, then the cable must be re-adjusted.



5. Adjust the cable location as necessary by going through steps 1 - 4.

## Using the Lever

The lever has a handle that can be drawn back to pull the cable. Upon reaching its fully drawn position, the lever settles into a groove that can hold it in place.

To release the lever, the handle can be pushed forwards with a slight amount of force to unseat it from its groove. This makes it easier to push forward more to release the cable.